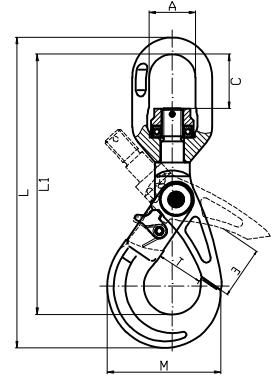
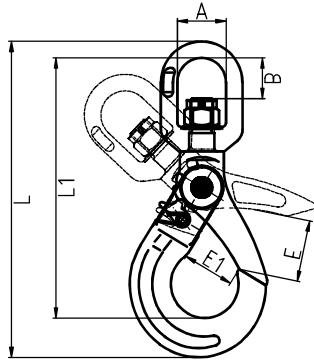


- Fatigue Rated x 1.5 WLL for 20,000 cycles
- Proof Tested - 2.5 times Working Load Limit
- 100% Magnaflux Crack Detected
- Super Alloy Steel

Grade 80 Chain Sling System



## XN755

Swivel Self Locking Hook / Brass Bushing

- EN1677-3.
- Safety Factor 4:1

| Part Code  | Size (mm) | Weight (kg) | WLL (T) | A    | B    | E  | E1   | L1    | L     |
|------------|-----------|-------------|---------|------|------|----|------|-------|-------|
| XN755-06   | 6         | 0.71        | 1.12    | 32.5 | 24   | 30 | 28   | 152.5 | 184   |
| XN755-07/8 | 7/8       | 1.15        | 2       | 36   | 29.5 | 29 | 35.8 | 189   | 228   |
| XN755-10   | 10        | 1.86        | 3.15    | 42   | 35   | 48 | 48   | 224   | 270   |
| XN755-13   | 13        | 3.51        | 5.3     | 50   | 41   | 54 | 52.5 | 267   | 324   |
| XN755-16   | 16        | 7.33        | 8       | 61   | 56.8 | 48 | 63.3 | 355.6 | 406   |
| XN755-20   | 18/20     | 10.3        | 12.5    | 72   | 63   | 52 | 86   | 378.2 | 460.5 |
| XN755-22   | 22        | 17.5        | 15      | 97   | 98   | 60 | 76   | 466   | 564   |
| XN755-26   | 26        | 23          | 21.2    | 123  | 115  | 98 | 96   | 544   | 661   |
| XN755-32   | 32        | 81          | 31.5    | 140  | 146  | 99 | 135  | 679   | 829   |

## XN042

Swivel Self Locking Hook / Roller Bearing

- EN1677-3.
- Rotates under load.
- Safety Factor 4:1

| Part Code  | Size (mm) | Weight (kg) | WLL (T) | A    | C    | L1    | L   | T    | E   | M     |
|------------|-----------|-------------|---------|------|------|-------|-----|------|-----|-------|
| XN042-06   | 6         | 0.71        | 1.12    | 32.5 | 33.8 | 160   | 195 | 28   | 32  | 70    |
| XN042-07/8 | 7/8       | 1.1         | 2       | 36   | 40   | 202   | 240 | 35   | 39  | 88    |
| XN042-10   | 10        | 2.0         | 3.15    | 42   | 48   | 237   | 283 | 45   | 48  | 108   |
| XN042-13   | 13        | 4.0         | 5.3     | 50   | 58   | 282   | 343 | 52.5 | 65  | 134   |
| XN042-16   | 16        | 7.3         | 8       | 61   | 60   | 341.5 | 413 | 63.3 | 65  | 168.6 |
| XN042-20   | 18/20     | 11.6        | 12.5    | 76   | 75.5 | 399.5 | 483 | 86   | 85  | 186.2 |
| XN042-22   | 22        | 16.0        | 15      | 97   | 97   | 466   | 564 | 76   | 80  | 202   |
| XN042-26   | 26        | 21.5        | 21.2    | 123  | 115  | 544   | 661 | 96   | 125 | 244   |