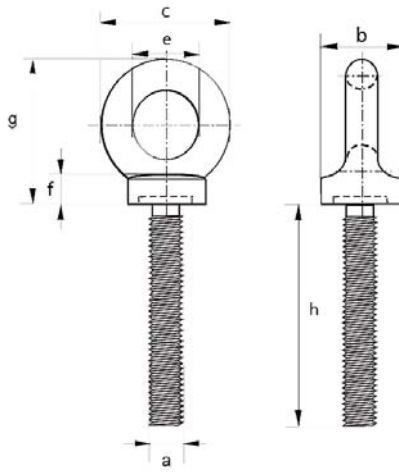


Long Shank Collared Eyebolts



- Manufactured from high tensile steel
- Self colour finish as standard but is also available in electro galvanised
- This product is issued with a thorough examination report
- **Other thread types are available to order**

Safe working Load Tonnes	Diameter Thread a mm	Diameter Base b mm	Diameter Eye Outside c mm	Diameter Eye Inside e mm	Thickness Collar f mm	Height g mm	Thread Length h mm	Weight each kg
0.25	10	22	33	15	7	36	178	0.18
0.40	12	28	41	19	11	45	178	0.25
0.50	14	36	52	24	14	58	178	0.40
0.80	16	36	52	24	14	58	178	0.44
1.00	18	43	62	29	17	69	178	0.70
1.60	20	43	62	29	17	69	178	0.70
1.60	22	50	73	33	17	74	178	1.05
2.50	24	57	82	38	19	87	178	1.50
4.00	30	71	104	48	24	116	178	2.80

DIn Eyunut



Working load limit Tonnes	Diameter Thread a mm	Diameter Base b mm	Diameter Eye Outside c mm	Diameter Eye Inside d mm	Thickness Base e mm	Height f mm	Weight each kg
0.14	8	20	36	20	8.5	36	0.05
0.23	10	25	45	25	10	45	0.094
0.34	12	30	54	30	11	53	0.16
0.49	14	35	63	35	13	60	0.22
0.7	16	35	63	35	13	62	0.24
1.2	20	40	72	40	16	71	0.352
1.5	22	45	81	45	18	80	0.586
1.8	24	50	90	50	20	90	0.706
3.2	30	65	108	60	25	109	1.32

- Larger sizes available
- Electro galvanised also available