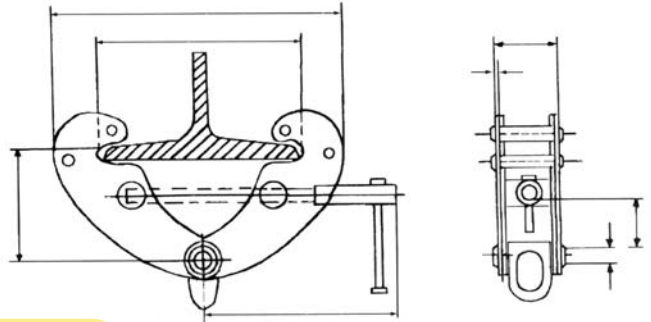
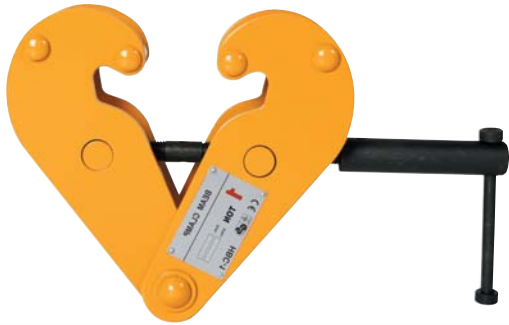


Beam Clamps & Trolleys

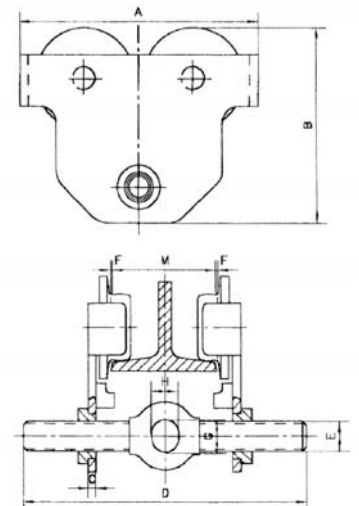
Beam Clamps



- Simple screw adjustment for easy attachment
- Large lower eye for attachment

Capacity Kg	Adj Beam Width mm	A Max mm	B Min mm	B Max mm	C mm	D mm	E mm	F Closed mm	F Open mm	G Min mm	H mm	Weight Kgs Each
1,000	70-245	270	183	375	66	4	210	165	102	25	20	4.4
2,000	70-245	270	183	375	74	6	210	165	102	25	20	5.1
3,000	70-355	365	240	520	103	8	258	225	135	45	22	10.5
5,000	70-355	365	240	520	111	10	258	225	135	45	28	17
10,000	80-350	365	260	520	180	12	280	230	160	50	38	19

Beam Trolleys



- Easy adjustment by turning the screw bar
- Bearings on the travelling load wheels

Capacity Kg	Min Radius Curve in Mtrs	A mm	D mm	B mm	C mm	H mm	E mm	Adjustable beam width mm	Weight Each Kgs
500	0.9	225	224	177	8	25	27	50-220	8.5
1,000	1.0	252	283	188	10	30	30	50-220	10.5
2,000	1.2	300	293	226	12	40	38	66-220	18
3,000	1.3	360	307	290	14	48	45	74-220	32
5,000	1.4	400	312	313	16	60	52	90-220	48.5