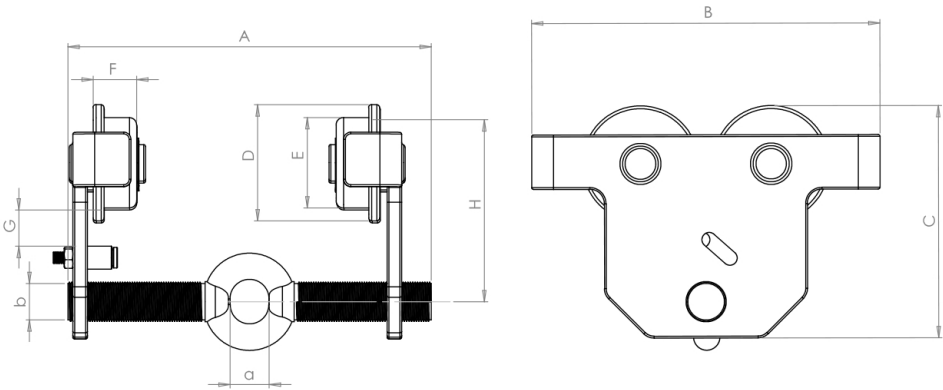


Quick Install Push Trolley

Manufactured and Tested according to EN13157

Available in Blue 0.5T to 5T.

- Easy positioning and movement of loads manually.
- Designed for quick and easy adjustment for different beam widths.
- Anti-de-rail bars fitted as standard.
- Trolley bearings are of a maintenance free type.



Capacity (tonnes)	0.5	1	2	3	5
Proof Load (tonnes)	0.75	1.5	3	4.5	7.5
I-Beam Width (mm)	50-220	58-220	66-220	74-220	90-220
A	292	306	310	332	360
B	200	240	280	335	375
C	158	185	208	248	295
D	79	93	108	129	144
E	57	68	80	100	110
F	27	30	35	39	50
G	7	8.5	10	11.5	12.5
H	65	70	75	98	100
a	24	30	35	46	50
b	27	34	46	57	62
Min. Radius Curve	1	1	1.1	1.3	1.4
Weight (kg)	4.8	8.38	13.4	22.4	36.6