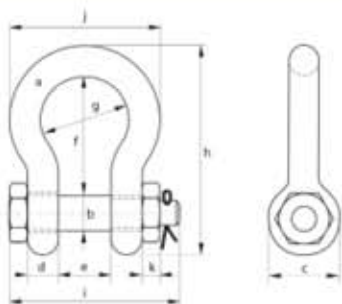


## Green Pin Standard Bow Shackles with Safety Nut and Bolt Pin

- Grade 6 high tensile steel, quenched and tempered.
- Minimum breaking load is 6 times the W.L.L.
- Conforms to EN 13889 and meets the performance requirements of US Fed Spec RC-C-271 Type IVA class 2, Grade A.
- Hot dipped galvanised.
- Temperature range -20 ° C upto +200 ° C.
- Supplied with proof load certificate, material certificate available on request.



W.L.L tons	a mm	b mm	c mm	d mm	e mm	f mm	g mm	h mm	i mm	j mm	k mm	weight kgs
0.5	7	8	17	7	12	29	20	54	43	37	4	0.06
0.75	9	10	21	9	13.5	32	22	61	51	42	5	0.11
1	10	11	23	10	17	36.5	26	71	61	49	8	0.16
1.5	11	13	26	11	19	43	29	80	68	54	11	0.22
2	13.5	16	34	13.5	22	51	32	91	83	63	13	0.42
3.25	16	19	40	16	27	64	43	114	99	79	17	0.74
4.75	19	22	47	19	31	76	51	136	115	94	20	1.18
6.5	22	25	53	22	36	83	58	157	131	107	23	1.77
8.5	25	28	60	25	43	95	68	176	151	124	25	2.58
9.5	28	32	67	28	47	108	75	197	167	137	28	3.66
12	32	35	74	32	51	115	83	218	179	154	31	4.91
13.5	35	38	80	35	57	133	92	240	198	170	34	6.54
17	38	42	89	38	60	146	99	262	202	183	19	8.19
25	45	50	104	45	74	178	126	314	244	226	24	14.22
35	50	57	111	50	83	197	138	358	270	250	27	19.85
42.5	57	65	134	57	95	222	160	414	302	287	30	28.33
55	65	70	145	65	105	260	180	463	330	329	33	39.59
85	75	83	163	75	127	329	190	556	376	355	40	62