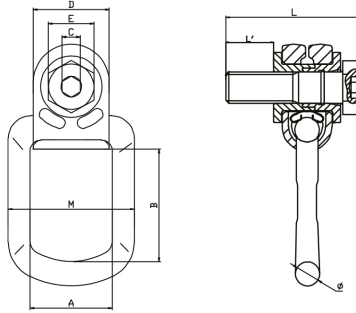


## XN173 EL

### Pivoting Lifting Eye Bolt

- Safety Factor 4:1

## Long Thread Version



Part Code	Size (mm)	Weight (kg)	WLL (T) 90°	A	B	C	D	E	M	L	L'	Ø
XN173-M08	M8	0.33	0.3	35	52.5	6	30	13	45	46	76mm	14
XN173-M10	M10	0.43	0.63	35	52.5	6	30	17	45	52	96mm	14
XN173-M12	M12	0.95	1	40	54	8	36	19	68	62	114mm	18
XN173-M16	M16	1.17	1.5	40	54	8	36	19	68	70	194mm	18
XN173-M20	M20	2.24	2.5	54	80	12	50	30	83	88	187mm	16
XN173-M24	M24	2.61	4	54	94	14	50	36	83	95	222mm	18

Size	1 Point (T) 0°	1 Point (T) 90°	2 Points (T) 0°	2 Points (T) 90°	2 Points (T) 0-45°	2 Points (T) 45-60°	3/4 Points (T) 0-45°	3/4 Points (T) 45-60°	3/4 Points Unsym (T)
M8	0.3	0.3	0.6	0.6	0.42	0.3	0.63	0.45	0.30
M10	0.63	0.63	1.26	1.26	0.88	0.63	1.32	0.95	0.63
M12	1	1	2	2	1.4	1	2.1	1.5	1
M16	1.5	1.5	3	3	2.1	1.5	3.15	2.25	1.5
M20	2.5	2.5	5	5	3.5	2.5	5.25	3.75	2.5
M24	4	4	8	8	5.6	4	8.4	6	4

- Fatigue Rated x 1.5 WLL for 20,000 cycles
- Proof Tested - 2.5 times Working Load Limit

- 100% Magnaflux Crack Detected
- Super Alloy Steel