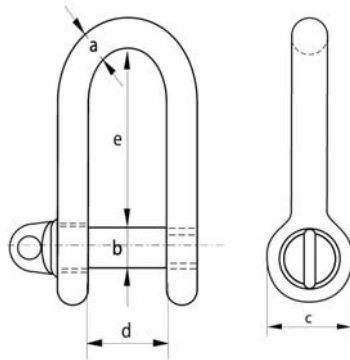


Shackles & Fittings

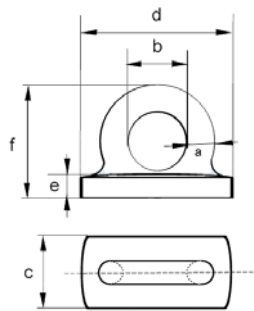
Piling Shackles



- Manufactured from high tensile steel
- Self colour finish
- Supplied with thorough examination report on despatch
- Piling clamps also available

Working Load Limit	Diameter bow a mm	Diameter pin b mm	Diameter eye c mm	Width inside d mm	Length inside e mm	Weight each kg
1.00	13	16	32	22	152	0.55
1.50	16	19	38	32	203	0.95
2.00	19	22	45	38	203	1.64
3.00	22	25	50	45	254	2.29
3.75	25	28	57	50	254	3.40
5.00	28	32	64	54	305	5.05

Weld On Deck Plates



- Manufactured from high tensile steel
- Self colour finish
- Supplied with thorough examination report
- This product has a proof load applied, however the working load limit is subject to correct welding procedure being carried out

Proof load	A.P No	Diameter a inch	Diameter a mm	Diameter eye inside b mm	Width base c mm	Length base d mm	Thickness base e mm	Height overall f mm	Weight each kg
2.00	4014	3/8	10	20	25	45	6	38	0.14
3.50	4015	1/2	12	25	35	60	8	50	0.33
5.50	4016	5/8	16	32	45	70	10	64	0.53
7.50	4017	3/4	19	38	50	85	12	76	0.77
9.60	4018	7/8	22	42	60	102	13	89	1.27
13.00	4019	1	25	50	70	115	16	100	2.00
15.75	4020	1 1/8	28	57	76	130	18	114	2.90
20.00	4021	1 1/4	32	64	85	145	19	128	3.44
29.00	4023	1 1/2	38	76	100	170	22	152	6.58
50.00	4027	2	50	100	140	230	30	203	14.98