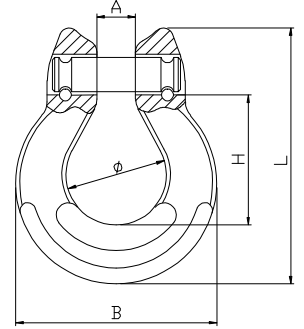
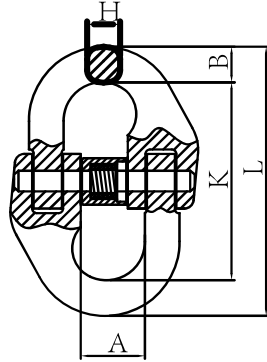


- Fatigue Rated x 1.5 WLL for 20,000 cycles
- Proof Tested - 2.5 times Working Load Limit
- 100% Magnaflux Crack Detected
- Super Alloy Steel
- All Load Pins are 100% individually inspected and tested

Grade 80 Chain Sling System



XN074 Connecting Link

XN002 Omega Link

- EN1677-1.
- Safety Factor 4:1

- EN1677-1.
- Safety Factor 4:1

| Part Code | Size (mm) | Weight (kg) | WLL (T) | A | B | L | K | H |
|------------|-----------|-------------|---------|------|------|-------|-------|------|
| XN074-06 | 06 | 0.08 | 1.12 | 15 | 7.5 | 58 | 42 | 7 |
| XN074-07/8 | 7/8 | 0.146 | 2 | 18 | 9.5 | 79.5 | 60.5 | 8.5 |
| XN074-10 | 10 | 0.30 | 3.15 | 25 | 12 | 90.5 | 68 | 11.5 |
| XN074-13 | 13 | 0.65 | 5.3 | 29 | 15 | 117 | 87 | 15 |
| XN074-16 | 16 | 1.15 | 8 | 34.5 | 19.8 | 148 | 108.4 | 19.8 |
| XN074-20 | 18/20 | 2.1 | 12.5 | 41 | 24 | 169.5 | 121.5 | 24 |
| XN074-22 | 22 | 2.87 | 15 | 48 | 26 | 193.5 | 141.5 | 26 |
| XN074-26 | 26 | 4.5 | 21.2 | 57.5 | 31 | 220 | 158 | 30 |
| XN074-32 | 32 | 8.21 | 31.5 | 67 | 38 | 281 | 205 | 37 |

| Part Code | Size (mm) | Weight (kg) | WLL (T) | A | B | D | H | L |
|------------|-----------|-------------|---------|----|-----|------|------|------|
| XN002-06 | 06 | 0.12 | 1.12 | 8 | 41 | 20.5 | 25 | 52 |
| XN002-07/8 | 7/8 | 0.22 | 2.0 | 10 | 52 | 23.5 | 35 | 68.5 |
| XN002-10 | 10 | 0.36 | 3.15 | 12 | 62 | 31.5 | 40.5 | 81 |
| XN002-13 | 13 | 0.71 | 5.3 | 15 | 81 | 41 | 54 | 108 |
| XN002-16 | 16 | 1.3 | 8 | 19 | 99 | 49.5 | 64 | 126 |
| XN002-20 | 18/20 | 2.2 | 12.5 | 23 | 118 | 58 | 75.6 | 152 |