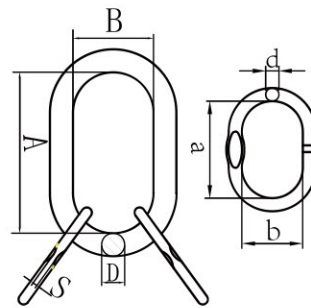
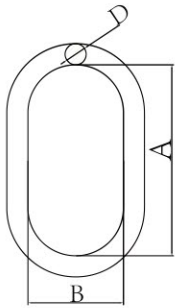


- Fatigue Rated x 1.5 WLL for 20,000 cycles
- Proof Tested - 2.5 times Working Load Limit
- 100% Magnaflux Crack Detected
- Super Alloy Steel



1

2

1. XN033 Master Link

Part Code	Size (mm)	For 1 Leg	For 2 Leg	Weight (kg)	WLL (T)	A	B	C	S
XN033-07/6	7/6	7	6	0.34	1.6	110	60	13	7
XN033-08/7	8/7	8	7	0.54	2.12	110	60	16	7
XN033-10/8	10/8	10	8	0.82	3.15	135	75	18	8
XN033-13-10	13/10	13	10	1.5	5.3	160	90	22	11
XN033-16/13	16/13	16	13	2.3	8	180	100	26	13
XN033-18/16	18/16	18	16	3.95	11.2	200	110	32	17
XN033-20/18	20/18	20	18	6.34	14	260	140	36	19
XN033-22/20	22/20	22	20	8.96	17	300	160	40	20
XN033-26/22	26/22	26	22	12.8	21.2	340	180	45	
XN033-32/26	32/26	32	26	16.55	31.5	350	190	50	
XN033-36/32	36/32	36	32	23.28	45	400	200	56	
XN033-40/36	40/36	40	36	32	56	430	220	63	
XN033-72	72mm	45	40	45.76	63	460	250	72	
XN033-80	80mm	-	45	62	85.46	500	270	80	

- EN1677-4.
- Suitable for 1 or 2 leg Grade 80 chain sling as per EN818-4.
- XN033-07/6 to XN033-22/20 complete with flat part.
- Safety Factor 4:1

2. XN032 Master Link Assembly

Part Code	Size (mm)	For 3 or 4 Leg Sling	Weight (kg)	WLL (T)	A	B	D	a	b	d	S
XN032-06	6	6	1.18	2.36	135	75	18	54	25	13	7
XN032-07	7	7	1.24	3.15	135	75	18	50	38	13	7
XN032-08	8	8	2.2	4.25	160	90	22	70	34	16	8
XN032-10	10	10	3.4	6.7	180	100	26	85	40	18	11
XN032-13	13	13	6.1	11.2	200	110	32	115	50	22	13
XN032-16	16	16	9.98	17	260	140	36	140	65	26	17
XN032-18	18	18	18.9	21.2	300	180	45	180	100	32	18
XN032-20	20	20	22.6	26.5	340	190	50	180	100	32	20
XN032-22	22	22	25.2	31.5	350	190	50	180	100	36	
XN032-26	26	26	35.2	45	400	200	56	180	100	40	
XN032-28	28	28	47	50	130	220	63	180	100	45	
XN032-32	32	32	66.46	63	460	250	72	200	110	50	

- EN1677-4.
- Suitable for 3 or 4 leg Grade 80 chain sling as per EN818-4.
- XN032-06 to XN032-20 complete with flat part.
- Safety Factor 4:1