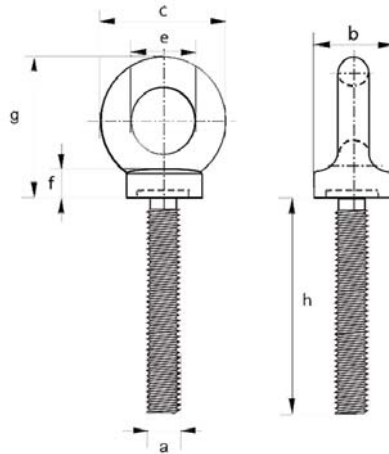


Long Shank Collared Eyebolts



- Manufactured from high tensile steel
- Self colour finish as standard but is also available in electro galvanised
- This product is issued with a thorough examination report
- **Other thread types are available to order**

| Safe working Load Tonnes | Diameter Thread a mm | Diameter Base b mm | Diameter Eye Outside c mm | Diameter Eye Inside e mm | Thickness Collar f mm | Height g mm | Thread Length h mm | Weight each kg |
|-----------------------------|-------------------------|-----------------------|------------------------------|-----------------------------|--------------------------|----------------|-----------------------|-------------------|
| 0.25 | 10 | 22 | 33 | 15 | 7 | 36 | 178 | 0.18 |
| 0.40 | 12 | 28 | 41 | 19 | 11 | 45 | 178 | 0.25 |
| 0.50 | 14 | 36 | 52 | 24 | 14 | 58 | 178 | 0.40 |
| 0.80 | 16 | 36 | 52 | 24 | 14 | 58 | 178 | 0.44 |
| 1.00 | 18 | 43 | 62 | 29 | 17 | 69 | 178 | 0.70 |
| 1.60 | 20 | 43 | 62 | 29 | 17 | 69 | 178 | 0.70 |
| 1.60 | 22 | 50 | 73 | 33 | 17 | 74 | 178 | 1.05 |
| 2.50 | 24 | 57 | 82 | 38 | 19 | 87 | 178 | 1.50 |
| 4.00 | 30 | 71 | 104 | 48 | 24 | 116 | 178 | 2.80 |

DIn Eyenut



| Working load limit Tonnes | Diameter Thread a mm | Diameter Base b mm | Diameter Eye Outside c mm | Diameter Eye Inside d mm | Thickness Base e mm | Height f mm | Weight each kg |
|------------------------------|-------------------------|-----------------------|------------------------------|-----------------------------|------------------------|----------------|-------------------|
| 0.14 | 8 | 20 | 36 | 20 | 8.5 | 36 | 0.05 |
| 0.23 | 10 | 25 | 45 | 25 | 10 | 45 | 0.094 |
| 0.34 | 12 | 30 | 54 | 30 | 11 | 53 | 0.16 |
| 0.49 | 14 | 35 | 63 | 35 | 13 | 60 | 0.22 |
| 0.7 | 16 | 35 | 63 | 35 | 13 | 62 | 0.24 |
| 1.2 | 20 | 40 | 72 | 40 | 16 | 71 | 0.352 |
| 1.5 | 22 | 45 | 81 | 45 | 18 | 80 | 0.586 |
| 1.8 | 24 | 50 | 90 | 50 | 20 | 90 | 0.706 |
| 3.2 | 30 | 65 | 108 | 60 | 25 | 109 | 1.32 |

- Larger sizes available
- Electro galvanised also available